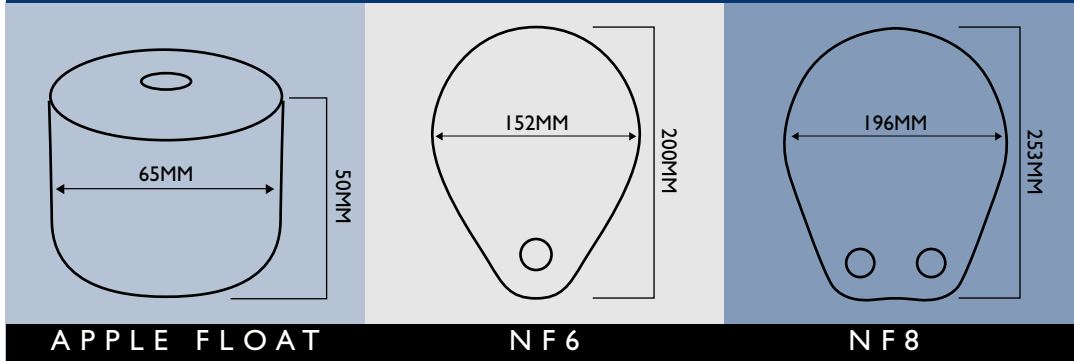


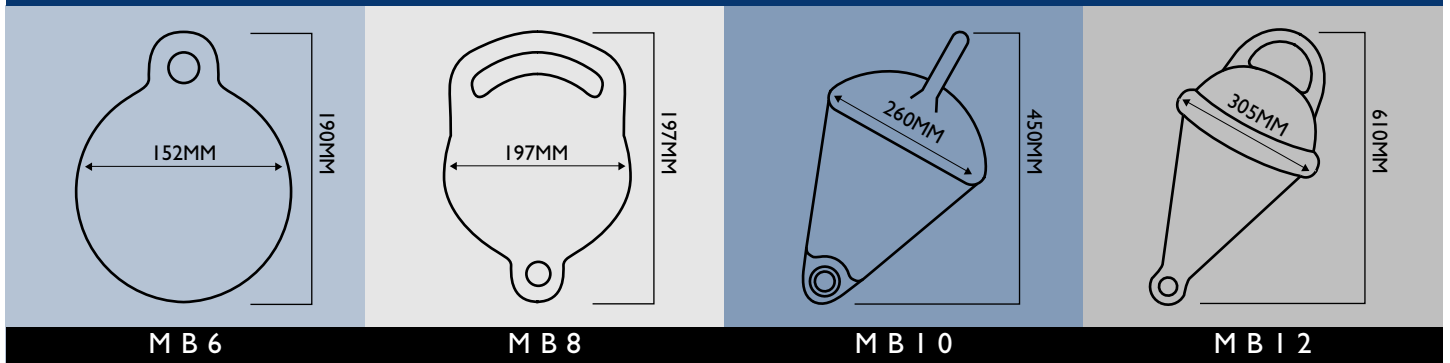
# ROTADYNE MARINE PRODUCTS

Rotadyne marine products are purpose designed and precision moulded from UV stabilised polyethylene for long, trouble-free service life in the toughest marine conditions.

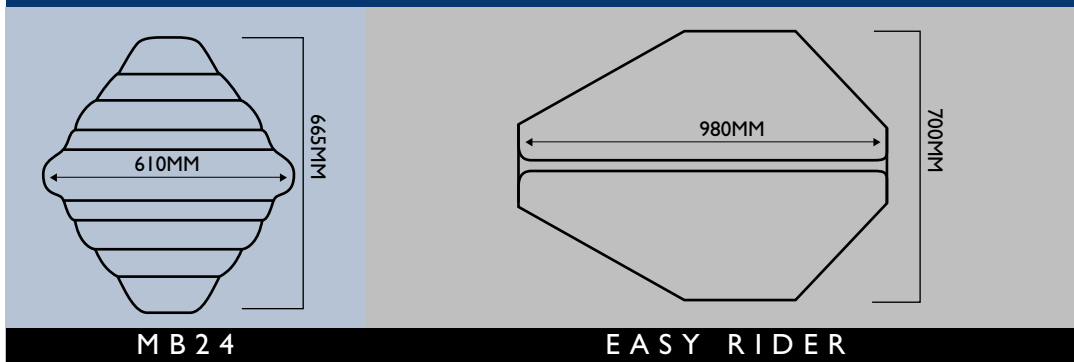
## NET FLOATS



## MOORING BUOYS



## MOORING BUOYS

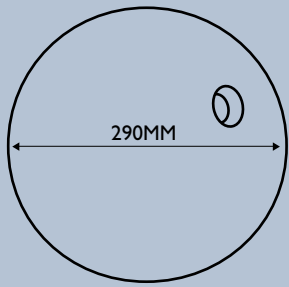


PLEASE SPECIFY WITH PRODUCT CODE WHEN ORDERING

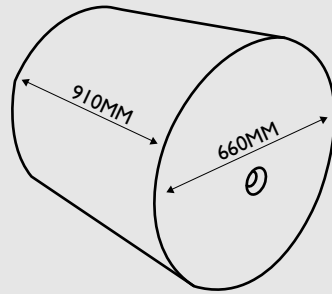
PRODUCT	APPLE FLOAT	NF6	NF8	MB6	MB8	MB10	MB12	MB24	EASY RIDER
CODE	096	082	083	080	081	1499	084	085	1470
FOAMFILLED (IF REQUIRED)***	NO	NO	NO	NO	NO	YES	YES	YES	YES
DIAMETER OF MAST HOLE/EYELET	5MM	22MM	22MM	22MM	22MM	22MM	22MM	30MM	30MM
BUOYANCY/DISPLACEMENT (KG)	130G	1.7KG	4.2KG	1.7KG	4.2KG	8KG	14KG	65KG	230KG
STOCK COLOURS	YELLOW ORANGE	YELLOW ORANGE	YELLOW ORANGE	YELLOW ORANGE	YELLOW ORANGE	YELLOW ORANGE	YELLOW,ORANGE RED,GREEN	YELLOW,ORANGE RED,PINK,BLUE	YELLOW
WEIGHT-UNFILLED (KG)	40G	300G	700G	300G	670G	650G	1.6KG	4.6KG	12KG

\*\*\* Please state whether item is to be foamfilled on order.

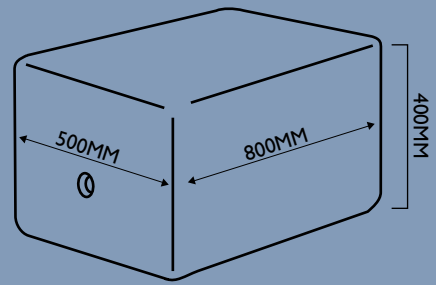
## COURSE MARKER BUOYS



CMB94

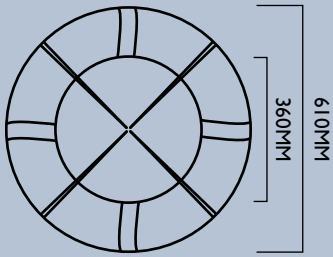


CMB95

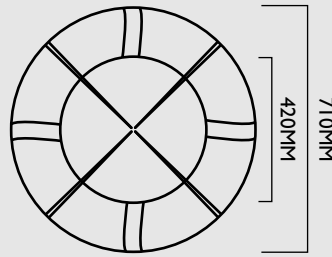


CMB98

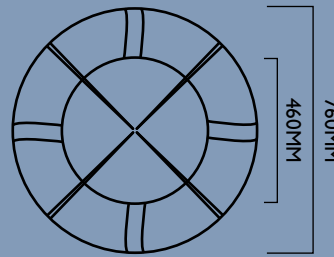
## LIFEBUOYS



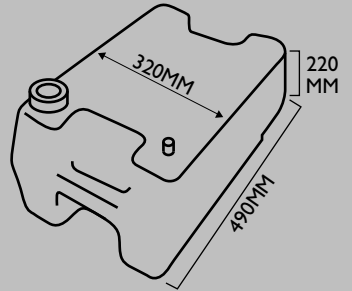
LB24



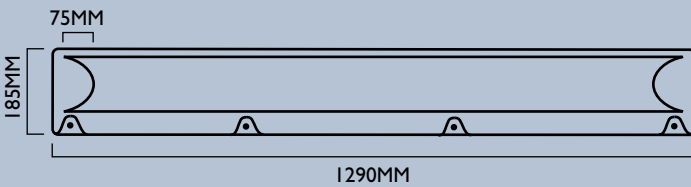
LB28†



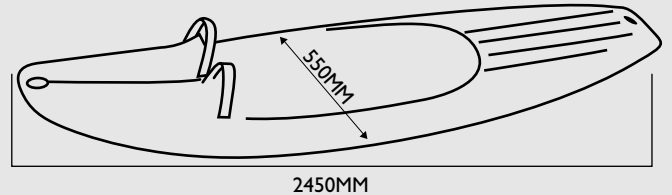
LB30†



RT22†† (22 LITRES)



BOOM FLOAT BARS



TSUNAMI WAVE SKI

### PLEASE SPECIFY WITH PRODUCT CODE WHEN ORDERING

PRODUCT	CMB94	CMB95	CMB98	LB24	LB28	LB30	RT22	FLOAT BARS	WAVE SKI
CODE	094	095	622SP	093	086	087	602	092	053
FOAMFILLED (IF REQUIRED)***	YES	YES	YES	YES*	YES*	YES*	N/A	YES	YES
DIAMETER OF MAST HOLE/EYELET	30MM	30MM	30MM	N/A	N/A	N/A	N/A	N/A	N/A
BUOYANCY/DISPLACEMENT (KG)	13KG	311KG	160KG	N/A	N/A	N/A	N/A	12KG	MAX 90KG PERSON
STOCK COLOURS	ORANGE	YELLOW ORANGE	YELLOW	ORANGE	ORANGE	ORANGE WHITE**	RED	YELLOW	YELLOW WHITE, RED
WEIGHT-UNFILLED (KG)	2KG	9KG	11.6KG	2.8KG	2.7KG	4.3KG	2.5KG	1.8KG	19KG

\* All lifebuoys are foamfilled. \*\* White lifebuoys do not comply to SOLAS requirements. \*\*\* Please state whether item is to be foamfilled on order.

† Lifebuoys are SOLAS and Type approved with American Bureau of Shipping (ABS). †† Includes fuel gauge and 1/4" bsp connector.

# MARINE PRODUCTS

**Rotadyne Pty. Limited** 31-43 Power Street St. Marys NSW 2760 Australia  
Tel. +61-2-9623 8877 Fax. +61-2-9623 6810 Email. sales@rotadyne.com.au  
[www.rotadyne.com.au](http://www.rotadyne.com.au)

